



Sovitron Interior Pvt.Ltd.



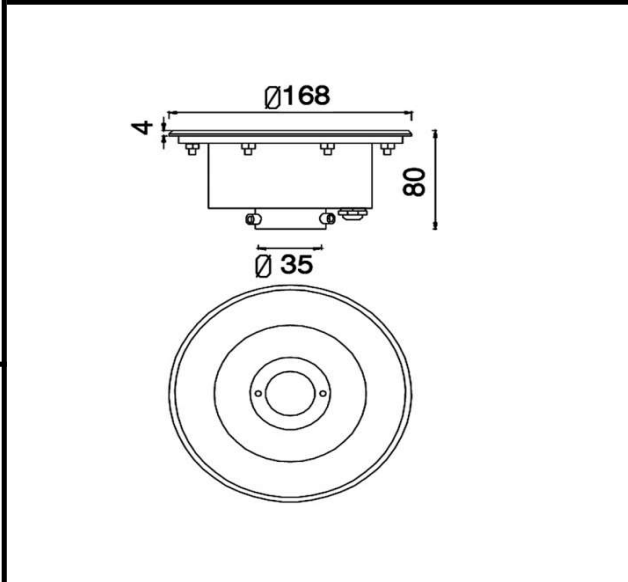
<b>Model Name</b>	EDGE-3433 / DL-OYS-3433-6
<b>Description</b>	UNDER WATER LIGHT (DONUT)

Technical description	Image
-----------------------	-------

<b>Dimension</b>	Dia=168mm H=80mm
<b>Frame</b>	Aluminum die cast
<b>Color Tempertaure</b>	4000K
<b>Power</b>	6W
<b>Total Luminous Flux</b>	390 lm
<b>Efficacy</b>	65 lm/W
<b>IP rating</b>	68
<b>Color Rendering</b>	≥80
<b>Mounting</b>	Recessed
<b>Optics</b>	Clear glass
<b>Dimming</b>	NON-Dimmable
<b>Operating Voltage</b>	DC24V
<b>Standard Lifetime</b>	L70 minimum at 50,000 burning hours



**Dimension diagram**



**Remarks:-**

**Address: Plot #7 Saroorpur-Nangla Industrial Area,Ballabgarh-Sohna Road,Faridabad-121005**  
**Email: info@sovitron.com**